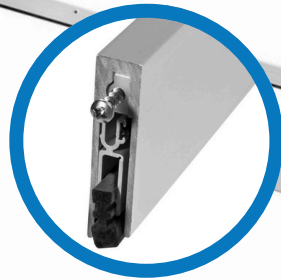


Sound Lock™ Door Seal Kit

SPEC SHEET

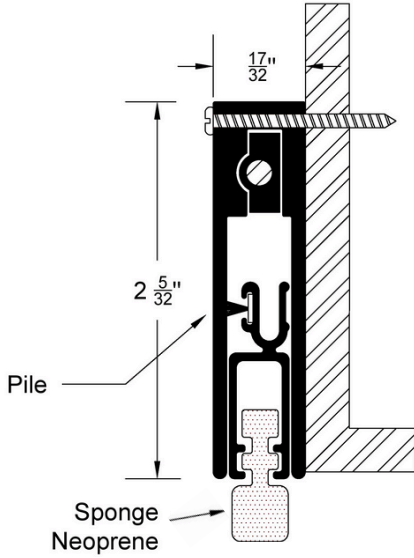
- ✓ **Soundproofs Any Solid Core Door**
- ✓ **Add Up to 20 STC Points**
- ✓ **DIY Friendly Installation**
- ✓ **Adjustable to Any Door Size**
- ✓ **Double Door Seal Kits Available**



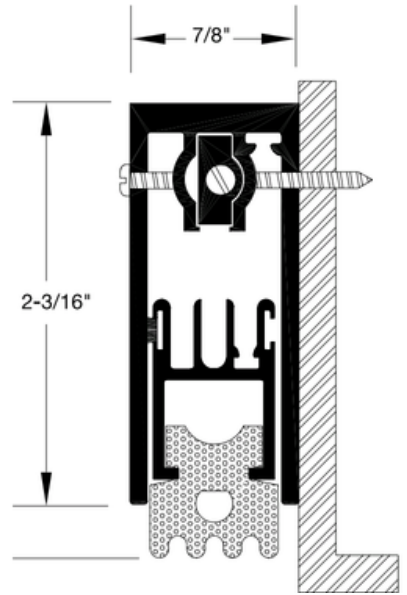
Material:	Anodized Aluminum Casting with Soft, Neoprene Rubber Seal
Patterns:	Smooth Aluminum
Features:	Seals Door From Airborne Noise, High STC, Adjustable, Durable, Economical Solution
Application:	Offices, Schools, Government Buildings, Study, Any Room with Solid Core Door, Solid Core Double Doors (with Astragal)
Durability Options:	Standard Office or Industrial
Jamb Seal Size:	Standard Size: (1) 36" x (2) 84" Up to 96" x 96" Available
Bottom Seal Size:	Standard Size: 30" to 36" 24" to 48" Available
Weight:	~10 to 20 lbs
Color:	Clear Anodized, Dark Bronze Anodized, Gold Anodized
STC Rating:	Adds up to 20 STC points ; Max STC: 51
Installation:	Wood Screw (provided)

Bottom Seals

Standard Office

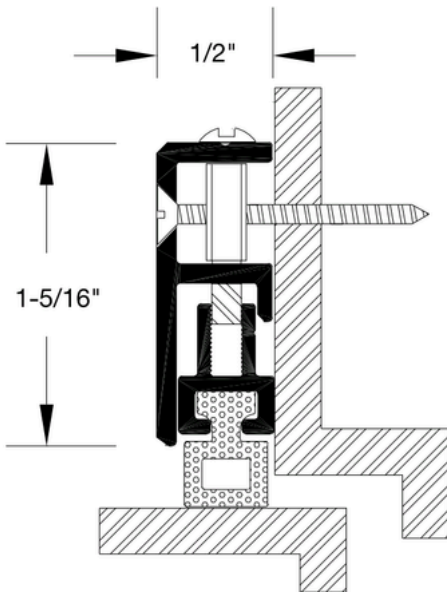


Industrial



Door Jamb Seals

Standard Office



Industrial

