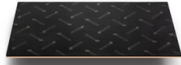


SINK SOUNDPROOFING KIT

INSTALLATION INSTRUCTIONS

WHAT COMES IN THE KIT?



+



DAMPLIFIER PRO™

HAND ROLLER

HOW MUCH DO I NEED? - MEASURE YOUR SINK

The most important area to apply Damplifier Pro™ is the bottom side of the sink. Measure across the bottom of your sink from the left to the right side. Next, measure the front to back of the sink. Multiply these two numbers to get the square footage.

If choosing to apply Damplifier Pro™ to all 5 sides (recommended for deeper sinks), you will also want to measure the depth and do the same square footage calculation. We recommend 60% coverage. Many customers choose to do 100%.

INSTALLATION TOOLS

1



SHARP UTILITY KNIFE

2



GLOVES

3



ALCOHOL

4



MEASURING TAPE

5

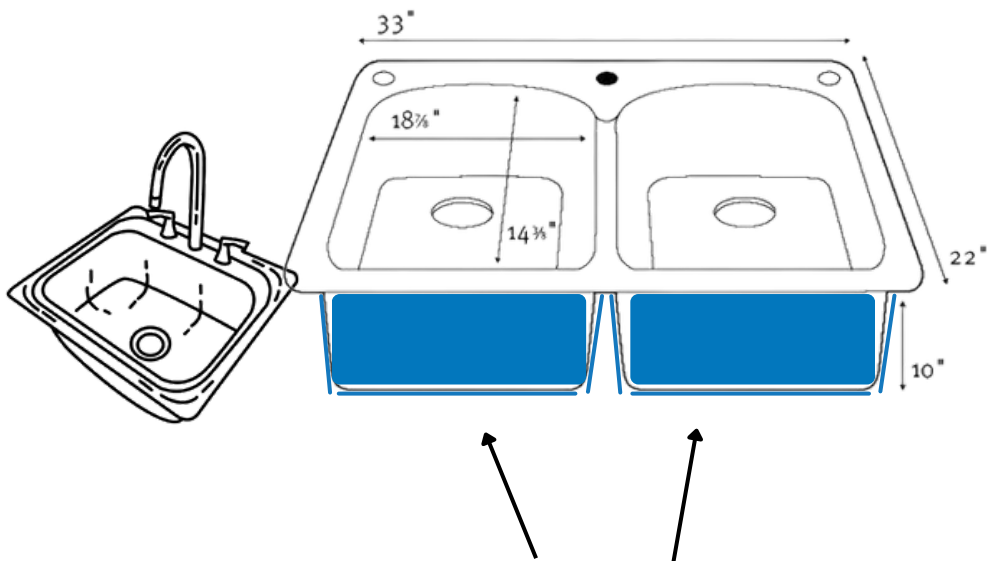


HAND ROLLER

(CONTINUED ON NEXT PAGE)

HOW TO INSTALL

- 1 If the Damplifier Pro™ mats are stiff, lay them out in the sun for a few minutes so that they're more malleable.
- 2 Clean your sink to remove all dirt, debris, and waxy oils.
- 3 While wearing gloves, remove the wax paper backing to reveal the butyl adhesive.
- 4 Press the mats firmly to your sink with as much pressure as practical across the entire metal surface.
- 5 Cut the sheets to fill any empty spaces using a template or free hand.
Use the wooden hand roller to get rid of any air pockets and create solid adherence to your sink.



Damplifier Pro™ Sound Deadening Mats