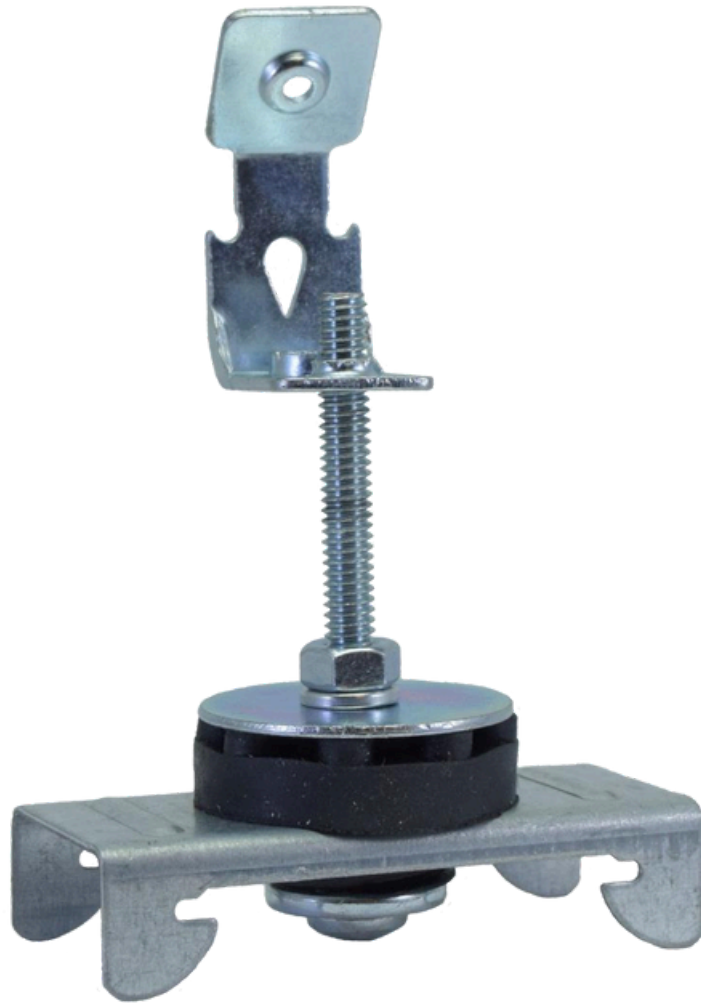
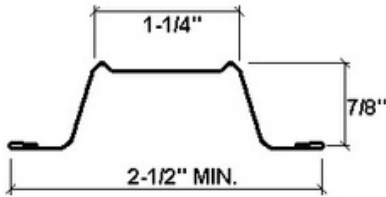
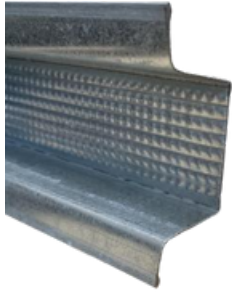


RSIC-1-ADM INSTALLATION GUIDE



RSIC-1 ADM Multi Clip

RSIC-1-ADM SOUND ISOLATION CLIP



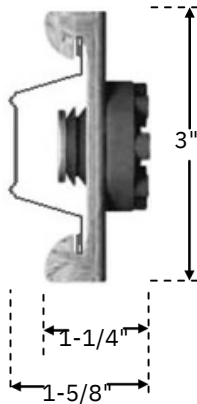
Drywall Furring Channel:

- **Minimum Requirements:** 25 gauge with hemmed edge required. Meets or exceeds SSMA requirements.
- **Depth:** 7/8 inch
- **Width Bottom:** 2-9/16" to 2-11/16" inch wide nominal.
- **Width Top:** 1-1/4 inch wide

Splice drywall furring channel (hat track) with 6 inch overlap in mid span (between two clips) secure with 18 ga tie wire, or two 7/16" framing screws.

Resilient Sound Isolation Clip (RSIC-1 ADM)

- **Maximum Spacing:** 48 inches on center
- **Maximum Acoustical Design Load:** 36 lbs



RSIC-1 ADM Dimensions:

- RSIC-1 ADM clip 3" wide
- RSIC-1 ADM clip 1-1/4" deep

Fasteners:

RSIC-1ADM Multi Clip to Concrete:

- The RSIC-1ADM Multi Clip is shot into the concrete with a gas, or powder actuated 3/4" pin min. Please verify use of pin is allowed for overhead installations.

RSIC-1ADM Multi Clip to Wood:

- The RSIC-1ADM Multi Clip is fastened to the wood frame with min #7 x 1-5/8" coarse thread screw

RSIC-1ADM Multi Clip to Steel:

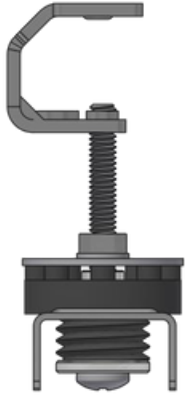
- The RSIC-1ADM Multi Clip is fastened to the steel frame with min #7 x 1" fine thread screw

Call for information on additional approved fasteners

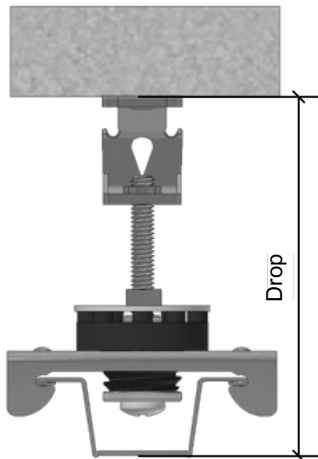


RSIC-1-ADM SOUND ISOLATION CLIP

Ceilings:



- Resilient Sound Isolation Clips (RSIC-1-ADM) shall be 48 inches (1219mm) on center maximum.
- Resilient Sound Isolation Clips (RSIC-1-ADM) has an acoustical design max load of 36 lbs per isolator.
- Install RSIC-1-ADM Multi Clip to concrete with powder or gas actuated 3/4" pin minimum.
- Install RSIC-1-ADM Multi Clip to Wood or Steel frame with approved fastener from previous page.
- Bend the RSIC-1 clip down until it is parallel with the floor.
- Adjust the height of the RSIC-1 on the threaded rod/bolt to desired height.
- Lock RSIC-1-ADM into final elevation with jam/lock nut.
- Ensure the metal ferrule is tight to the washer, slightly compressing the rubber.
- Install the furring channel (hat track) into the RSIC-1-ADM clips. maximum spacing is 24" oc.
- Install the gypsum board leaving a 1/4" min. gap around the gypsum board ceiling.
- Caulk around entire perimeter of the gypsum board. Use fire rated sealant where required.



RSIC-1 ADM Multi Clip		
Screw Length	Min Drop	Max Drop
1-1/2"	2-5/8"	2-5/8"
2"	3"	3-1/2"
3"	4"	4-1/2"
4"	5"	5-1/2"
5"	6"	6-1/2"
6"	7"	7-1/2"

General Information:

- Resilient Sound Isolation Clip (RSIC-1 ADM), furring channel (hat track) and gypsum board shall not carry heavy loads such as cabinets, book shelves, or light fixtures without additional RSIC supports.
- Splice furring channel (hat track) with 6 inch overlap in mid span, secure with 18 ga. tie wire or with two framing screws (7/16").
- Seal all potential air leaks with non-hardening acoustical caulking to achieve best noise control results. Use fire rated sealant where required.

Fire Test Information:

RSIC products are approved for classification and use in over 150 different UL Fire Resistive Design Assemblies.

Call us for the latest updates of the fire testing: (800) 679-8511

Check UL Fire Resistance Directory File # R16638

Check UL's web pages: www.ul.com/database

Contact UL (877) UL-HELPS

RSIC-1-ADM SOUND ISOLATION CLIP

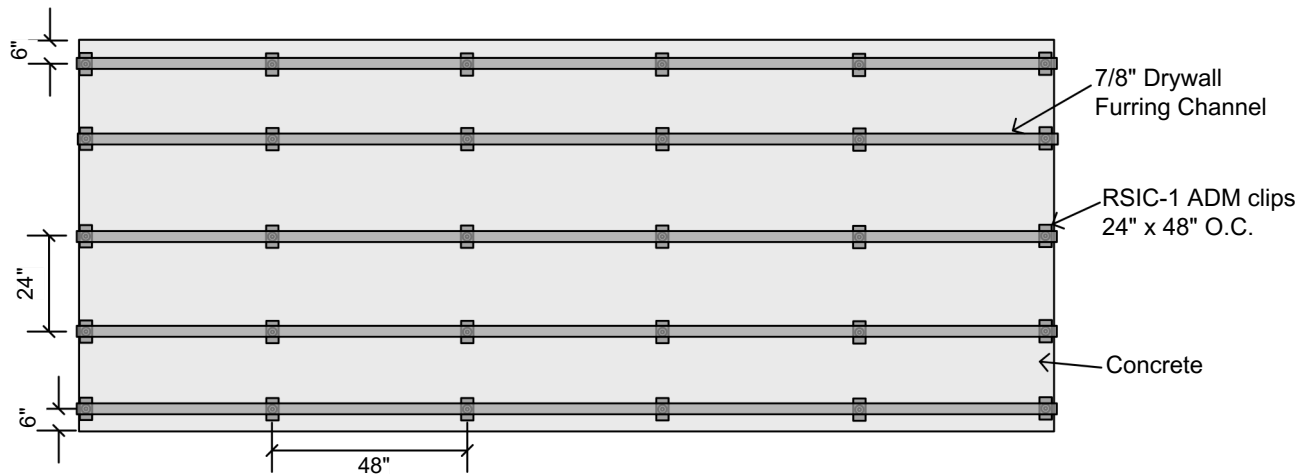
APPLICATION RECOMMENDATIONS FOR CONCRETE CEILINGS

INSTALLING RESILIENT SOUND ISOLATION CLIPS (RSIC-1 ADM)

RSIC CLIPS AT 24" and 16" O.C.

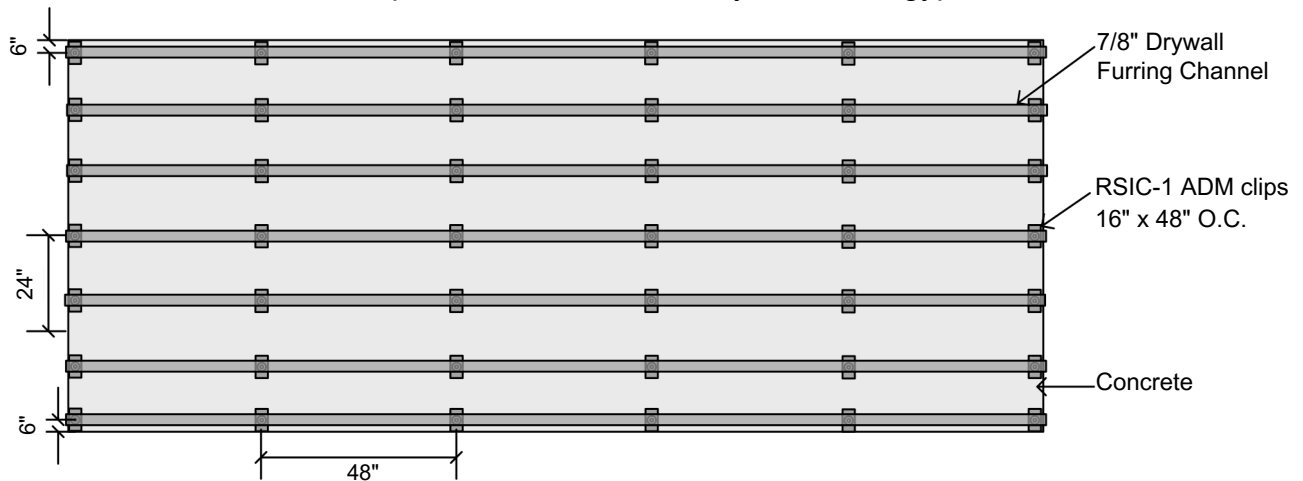
RSIC-1 ADM Ceiling System

RSIC-1 ADM clips at 24" x 48" O.C. 1 or 2 layers of 5/8" gypsum board



RSIC-1 ADM Ceiling System

RSIC-1 ADM clips at 16" x 48" O.C. 3 layers of 5/8" gypsum board



RSIC-1-ADM SOUND ISOLATION CLIP

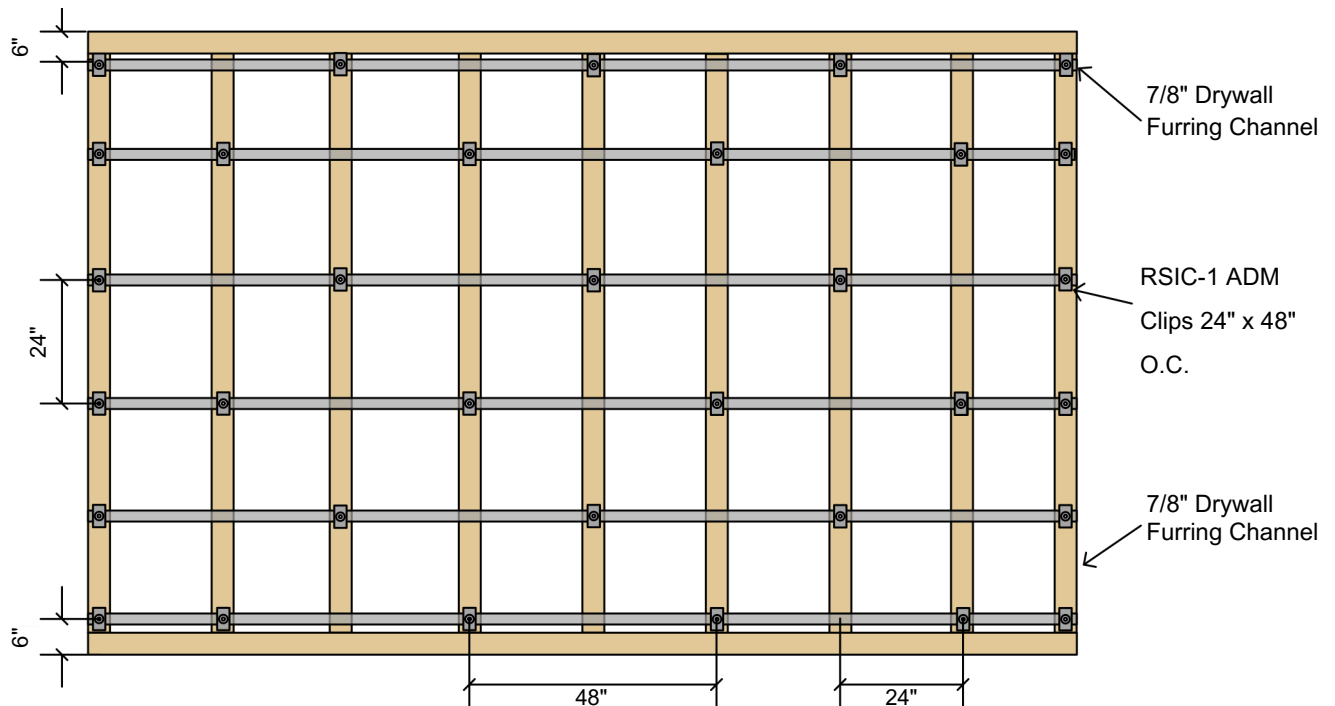
APPLICATION RECOMMENDATIONS FOR WOOD AND STEEL CEILINGS

INSTALLING RESILIENT SOUND ISOLATION CLIPS (RSIC-1 ADM)

RSIC-1 ADM CLIPS AT 24" O.C.

Ceiling System Framing at 24" O.C

RSIC-1 ADM clips at 24" x 48" O.C. 1 or 2 layers of 5/8" gypsum board



RSIC-1-ADM SOUND ISOLATION CLIP



Members of the International Code Council

WARRANTY DISCLAIMER AND LIABILITY LIMITATION LANGUAGE

NO EXPRESS OR IMPLIED WARRANTIES

THERE IS NO WARRANTY, REPRESENTATION OR CONDITION OF ANY KIND; AND ANY WARRANTY, EXPRESS OR IMPLIED, IS EXCLUDED AND DISCLAIMED, INCLUDING THE IMPLIED WARRANTIES OF MERCHANTABILITY AND OF FITNESS FOR A PARTICULAR PURPOSE. Some states do not allow limitations on implied warranties, so the above limitation may not apply to you.

LIABILITY LIMITED TO RETURN OF PURCHASE PRICE

IT IS AGREED THAT SELLER'S LIABILITY AND PURCHASER'S SOLE REMEDY, WHETHER IN CONTRACT, UNDER ANY WARRANTY, IN TORT (INCLUDING NEGLIGENCE), IN STRICT LIABILITY OR OTHERWISE, SHALL NOT EXCEED THE RETURN OF THE AMOUNT OF THE PURCHASE PRICE PAID BY PURCHASER, AND UNDER NO CIRCUMSTANCES SHALL SELLER BE LIABLE FOR ANY SPECIAL, INCIDENTAL OR CONSEQUENTIAL DAMAGES, INCLUDING, BUT NOT LIMITED TO, PERSONAL INJURY, PROPERTY DAMAGE, DAMAGE TO OR LOSS OF EQUIPMENT, LOST PROFITS OR REVENUE, COSTS OF RENTING REPLACEMENTS AND OTHER ADDITIONAL EXPENSES, EVEN IF SELLER HAS BEEN ADVISED OF THE POSSIBILITY OF SUCH DAMAGES. THE PRICE STATED FOR THE EQUIPMENT IS A CONSIDERATION IN LIMITING SELLER'S LIABILITY AND PURCHASER'S REMEDY. Some states do not allow the exclusion or limitation of incidental or consequential damages, so the above limitation or exclusion may not apply to you.

SELLER NOT LIABLE FOR PURCHASER'S NEGLIGENCE

SELLER WILL NOT BE LIABLE FOR ANY DAMAGES, LOSSES OR EXPENSES AS A RESULT OF PURCHASER'S NEGLIGENCE, WHETHER DEEMED ACTIVE OR PASSIVE AND WHETHER OR NOT ANY SUCH NEGLIGENCE IS THE SOLE CAUSE OF ANY SUCH DAMAGE, LOSS OR EXPENSE.

MODEL FOR DEMONSTRATION PURPOSES ONLY

THE MODEL OR SAMPLE SHOWN BY SELLER TO BUYER IS USED FOR DEMONSTRATION PURPOSES ONLY. THERE IS NO WARRANTY THAT THE GOODS AS DELIVERED SHALL CONFORM TO THE MODEL OR SAMPLE, AND CONFORMITY OF THE GOODS TO THE MODEL OR SAMPLE IS NOT PART OF THE BASIS OF THE BARGAIN BETWEEN SELLER AND BUYER.

NO WARRANTY OR COMPLIANCE WITH SAFETY CODE OR REGULATION

SELLER DOES NOT WARRANT THAT ANY OF THE GOODS SOLD WILL MEET OR COMPLY WITH THE REQUIREMENTS OF ANY SAFETY CODE, BUILDING OR DWELLING CODE, OR REGULATION OF ANY STATE, MUNICIPALITY OR OTHER JURISDICTION.

NEVADA LAW APPLIES

SELLER AND BUYER AGREE THAT ALL ASPECTS OF THIS TRANSACTION INCLUDING THE APPLICABLE STATUTE OF LIMITATIONS SHALL BE GOVERNED BY THE INTERNAL LAW OF THE STATE OF NEVADA, AND NOT THE LAWS OF CONFLICTS. This warranty gives you specific legal rights, and you may also have other rights which vary from state to state.