

Sound Lock™ Door Jamb Seals

SPEC SHEET

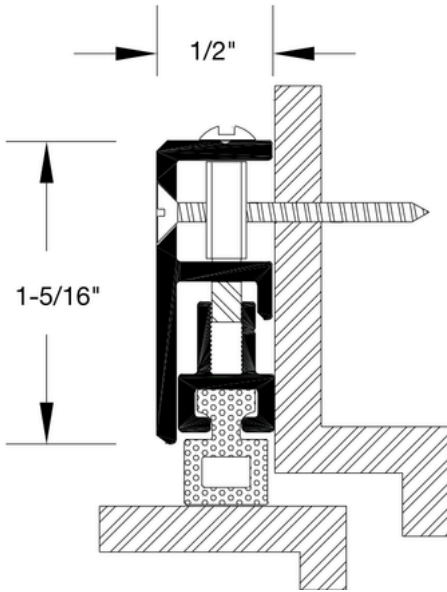
- ✓ Seals Noise and Air Leaks
- ✓ Add Up to 20 STC Points
- ✓ DIY Friendly Installation
- ✓ Adjustable to Any Door Size
- ✓ Double Door Seals Available



| | |
|----------------------------|---|
| Material: | Anodized Aluminum Casting with Soft, Neoprene Rubber Seal |
| Patterns: | Smooth Aluminum |
| Features: | Seals Door From Airborne Noise, High STC, Adjustable, Durable, Economical Solution |
| Application: | Offices, Schools, Government Buildings, Study, Industrial Facility, Medical Facility, Any Room with Solid Core Door, Double Doors (Astragal separate) |
| Durability Options: | Standard Office or Industrial |
| Jamb Seal Size: | Basic Size: (1) 36" x (2) 84" Up to 96" x 96" Available |
| Weight: | ~10 to 20 lbs |
| Color: | Clear Anodized, Dark Bronze Anodized, Gold Anodized |
| STC Rating: | Adds up to 20 STC points ; Max STC: 51 |
| Installation: | Wood Screw (provided) |

Door Jamb Seals

Standard Office



Industrial

